



Shown: 68" finished top with optional faucet and 36" lighted bottle rail accessory (cabinet base not included)

Finished Top Cocktail Stations

Standard Features	Specifications
<ul style="list-style-type: none"> • Stainless steel construction. • Includes radius bend top edge on front and sides. Available with non-radius edge on one or both sides for mounting next to a wall or vertical panel. • Front-to-back dimension is 25-1/4" (custom sizes available). Specify length to suit your needs up to 114". • Configurable top elements include a seamlessly welded drainboard glass storage area, bottle well, cocktail ice bin, and sink. • The optional seamlessly welded drainboard glass storage area consists of a stamped pan with perforated insert providing air circulation for drying glassware. Available in 12", 18", 24", or 30" sizes. • The optional cocktail ice bin includes sliding stainless steel cover with condiment cups. Available in 12", 18", or 24" sizes. • The optional bottle well and cocktail ice bin are foamed-in-place insulated with a PVC plastic breaker strip around the ice bin liner to prevent thermal transfer from outside the ice bin so that your ice lasts longer. • The optional easy to clean sink is stainless steel and seamlessly welded into the work surface. Faucet holes provided - specify hole pattern required. Drain fitting is included. • Bottle rail accessory is available to mount inside the cabinet door below the top for easy-access storage for bottles (See Bottle Rail Specification Sheet). • A lighted bottle rail accessory is available in 6" increments from 24" to 48" long to set on the rear portion of the top, providing a special highlight to your cocktail area. • Optional jeweled finishes are available. Standard top finish is brushed stainless steel. See back for photo comparison of top finishes. 	<p>Dimensions: Height: Top is 1-1/2". Including the ice bin element, 9-1/2" with additional clearance required for drain. Width: As specified by customer with maximum of 114". Depth: 25-1/4". Custom sizes available upon request.</p> <p>Drains:</p> <ul style="list-style-type: none"> • Sink – 1-1/2" I.P.S. threaded drain fitting • Ice bin – 1-1/2" tailpiece • Bottle well – 1-1/2" tailpiece • Glass storage area – no drain or optional 1-1/2" I.P.S. threaded drain fitting - specify if required when ordering. <p>NOTE: Provide suitable drain systems in accordance with local codes for all drains. The drains must be accessible.</p> <p>Sink Bowl Dimensions: 9-1/4" by 11-1/2" by 6" deep</p> <p>Faucet (optional): Holes for mounting a faucet are provided. Two holes on 4" centers is standard. If an alternate pattern is required, please specify when ordering.</p> <p>An optional hot and cold water faucet is available as an accessory. Specify part number 03000457 when ordering.</p> <p>NOTE: Use a certified plumber to connect and install potable water supply and drain system in accordance with local code requirements.</p>
<p style="text-align: center;">Glastender, Inc. 5400 North Michigan Road • Saginaw, MI • 48604-9780 989.752.4275 • 800.748.0423 • Fax 989.752.4444 www.glastenderhome.com</p>	<p style="text-align: center;">Specifications subject to change without notice. For current specifications please visit our website.</p>

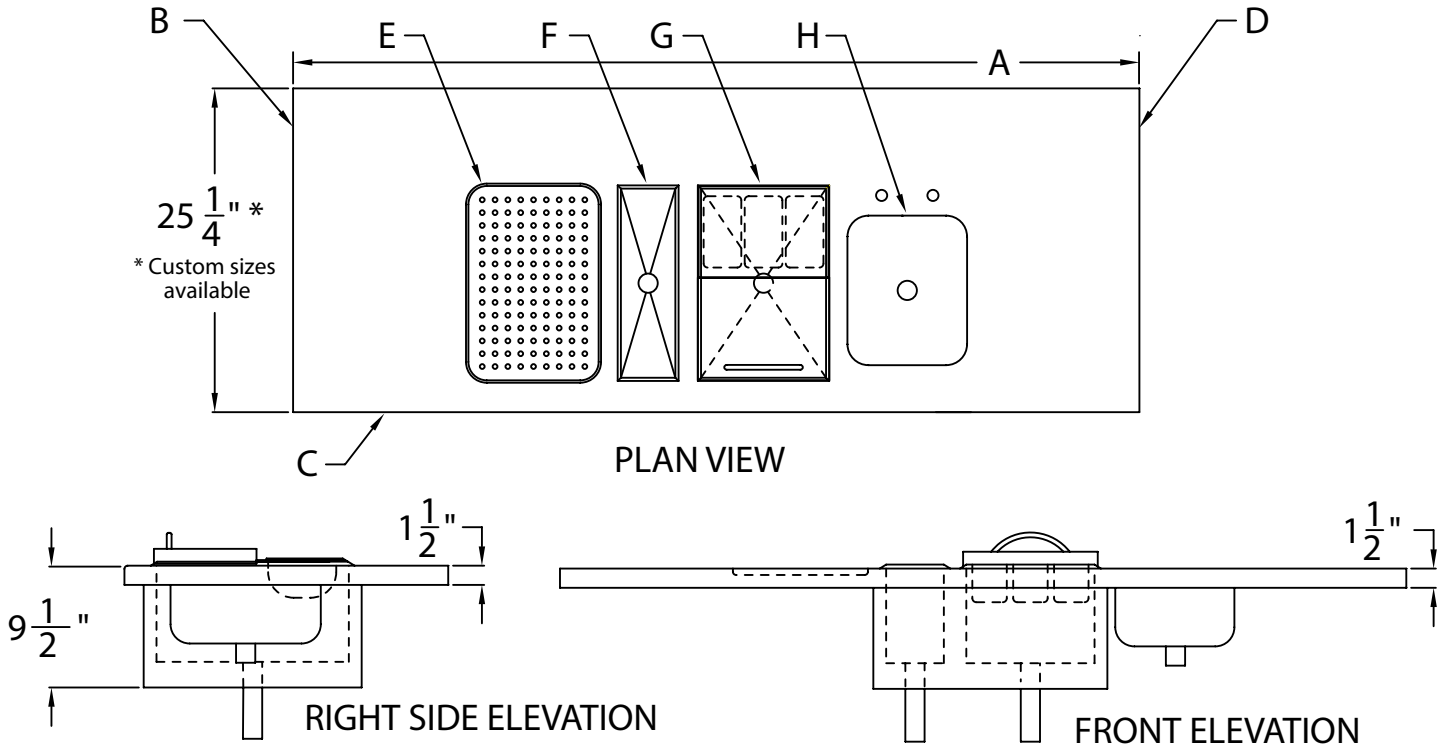
FINISHED TOP COCKTAIL STATION

CONFIGURABLE TOP SPECIFICATION REQUIREMENTS:

- A - Specify overall length of top in inches.
- B - Specify left top edge style - 90° bend or radius bend.
- C - Specify front top edge style - 90° bend or radius bend.
- D - Specify right top edge style - 90° bend or radius bend.
- E - If drain pan is required, specify size (12", 18", 24" or 30") and center line location from left edge of top.
- F - If bottle well is required, specify size (6", 12", 18" or 24") and center line location from left edge of top.

- G - If cocktail ice bin is required, specify size (12", 18" or 24") and center line location from left edge of top.
- H - If sink is required, specify center line location from left edge of top. Holes for mounting a faucet are provided. Two holes on 4" centers is standard. If an alternate pattern is required, please specify when ordering.

Note: A factory created approval drawing is supplied once all configurable information is provided.



Top finish options

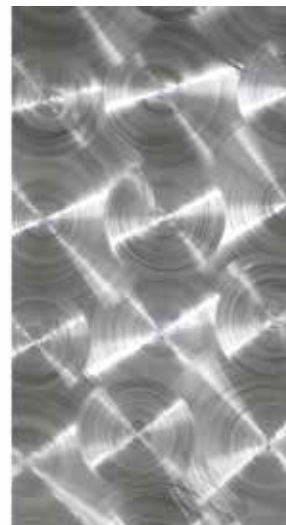
The standard top finish is brushed stainless steel. Optional stainless steel jewel finishes are available.



Standard brushed stainless steel



Highlighted Jewel



Patterned Jewel



Feathered Jewel