



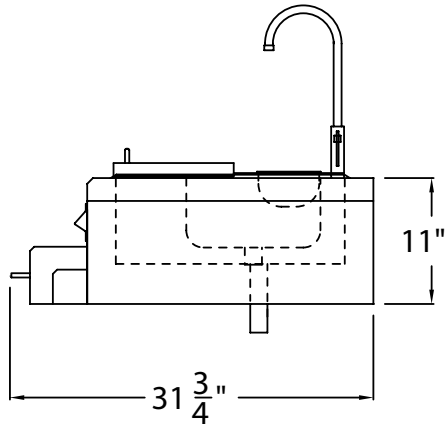
BCS42

Built-In Cocktail Stations

Models: BCS30, BCS42

Standard Features	Specifications																																		
<ul style="list-style-type: none"> • Weather resistant stainless steel construction. • Includes a cocktail ice bin with sliding stainless steel cover, three condiment cups, bottle well for iced bottle storage, sink with cold water faucet, cutting board, bottle rail, towel bar, and bottle opener and cap catcher. • Condiment area includes hinged stainless steel sanitary cover. • BCS42 model includes a seamlessly welded drainboard glass storage area consisting of a stamped pan and perforated insert providing air circulation for drying glassware. • Removable cutting board is easy to clean and allows you to replenish condiments right at the station. • The convenient bottle rail provides easy access storage for bottles and includes a front mounted towel bar. • Mounted below the bottle opener is a removable cap catcher for easy disposal during clean-up. • Insulated bottle well storage for chilling juices, mixes, or wine is separate from the cocktail ice bin liner, preventing contamination of the ice used to make your cocktails. • The easy to clean sink is stainless steel and seamlessly welded into the work surface. Drain fitting is included. • Foamed-in-place insulation and a PVC plastic breaker strip around the ice bin liners prevent thermal transfer from outside the ice bin so that your ice lasts longer. 	<p>Dimensions:</p> <table border="1"> <thead> <tr> <th></th> <th>BCS30</th> <th>BCS42</th> </tr> </thead> <tbody> <tr> <td>Height*:</td> <td>11"</td> <td>11"</td> </tr> <tr> <td colspan="3"><i>*NOTE: Does not include ice bin cover, faucet, or drain.</i></td> </tr> <tr> <td>Width:</td> <td>30"</td> <td>42"</td> </tr> <tr> <td>Depth†:</td> <td>31-3/4"</td> <td>31-3/4"</td> </tr> <tr> <td colspan="3"><i>†NOTE: Includes speed rail and towel bar.</i></td> </tr> <tr> <td>Shipping weight:</td> <td>140#</td> <td>160#</td> </tr> </tbody> </table> <p>Cutout Dimensions:</p> <table border="1"> <thead> <tr> <th></th> <th>BCS30</th> <th>BCS42</th> </tr> </thead> <tbody> <tr> <td>Height:</td> <td>10-1/2"</td> <td>10-1/2"</td> </tr> <tr> <td>Width:</td> <td>30-1/4"</td> <td>42-1/4"</td> </tr> <tr> <td>Depth:</td> <td>23"</td> <td>23"</td> </tr> </tbody> </table> <p>Drains:</p> <ul style="list-style-type: none"> • Sink – 1-1/2" I.P.S. threaded drain fitting • Ice bin – 1-1/2" tailpiece • Bottle well – 1-1/2" tailpiece • Glass storage area (BCS42 only) – 1-1/2" tailpiece <p>NOTE: Provide suitable drain systems in accordance with local codes for all drains. The drains must be accessible.</p> <p>Sink Bowl Dimensions: 9-1/4" by 11-1/2" by 6" deep</p> <p>Faucet: Deck mount, cold water only, accepts 3/8" sink lead.</p> <p>NOTE: Use a certified plumber to connect and install potable water supply and drain system to the built-in cocktail station in accordance with local code requirements.</p>			BCS30	BCS42	Height*:	11"	11"	<i>*NOTE: Does not include ice bin cover, faucet, or drain.</i>			Width:	30"	42"	Depth†:	31-3/4"	31-3/4"	<i>†NOTE: Includes speed rail and towel bar.</i>			Shipping weight:	140#	160#		BCS30	BCS42	Height:	10-1/2"	10-1/2"	Width:	30-1/4"	42-1/4"	Depth:	23"	23"
	BCS30	BCS42																																	
Height*:	11"	11"																																	
<i>*NOTE: Does not include ice bin cover, faucet, or drain.</i>																																			
Width:	30"	42"																																	
Depth†:	31-3/4"	31-3/4"																																	
<i>†NOTE: Includes speed rail and towel bar.</i>																																			
Shipping weight:	140#	160#																																	
	BCS30	BCS42																																	
Height:	10-1/2"	10-1/2"																																	
Width:	30-1/4"	42-1/4"																																	
Depth:	23"	23"																																	
<p align="center">Glastender, Inc. 5400 North Michigan Road • Saginaw, MI • 48604-9780 989.752.4275 • 800.748.0423 • Fax 989.752.4444 www.glastenderhome.com</p>	<p align="center">Specifications subject to change without notice. For current specifications please visit our website.</p>																																		

BUILT-IN COCKTAIL STATIONS

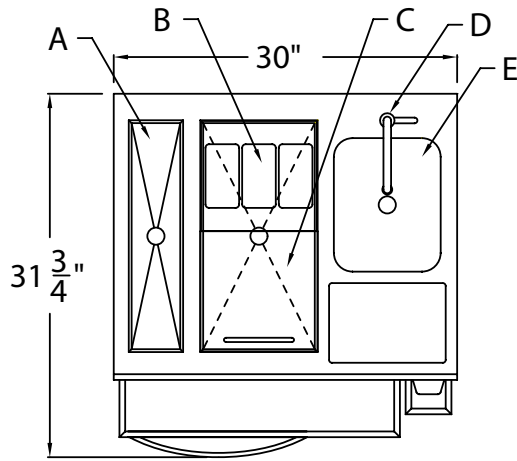


RIGHT SIDE ELEVATION

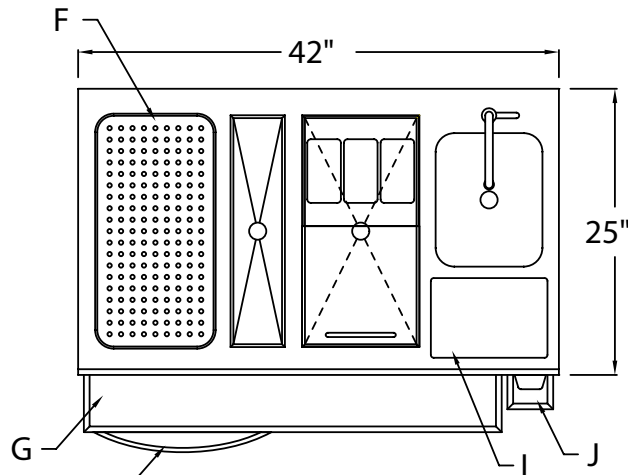
- A - Insulated bottle well
- B - Condiment cups
- C - Cocktail Ice bin with sliding cover
- D - Cold water faucet
- E - Stainless steel sink
- F - Drainboard Glass storage area (BCS42 only)
- G - Bottle storage rail
- H - Towel bar
- I - Removable cutting board
- J - Bottle open & cap catcher

BCS30

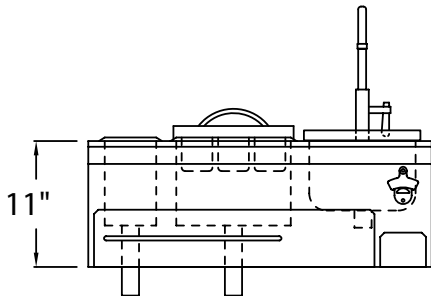
BCS42



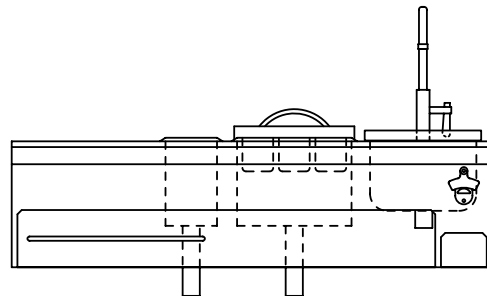
PLAN VIEW



PLAN VIEW



FRONT ELEVATION



FRONT ELEVATION