



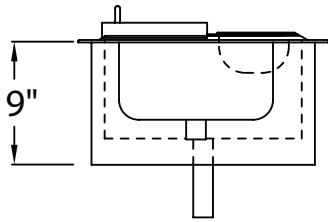
DCS42  
with optional faucet

## Drop-In Cocktail Stations

Models: DCS30, DCS42

Standard Features	Specifications																																														
<ul style="list-style-type: none"> <li>• Weather resistant stainless steel construction with galvanized steel exterior wrap on ice bin below work surface.</li> <li>• Unique hemmed edge for added strength and visual appeal.</li> <li>• Includes mounting brackets for a gap-free installation.</li> <li>• Includes a main ice bin with sliding stainless steel cover, three condiment cups, bottle well for iced bottle storage, and sink. Hot and cold water faucet is optional.</li> <li>• Condiment area includes hinged stainless steel sanitary cover.</li> <li>• DCS42 model includes a seamlessly welded drainboard glass storage area consisting of a stamped pan and perforated insert providing air circulation for drying glassware.</li> <li>• Insulated bottle well storage for chilling juices, mixes, or wine is separate from the cocktail ice bin liner, preventing contamination of the ice used to make your cocktails.</li> <li>• The easy to clean sink is stainless steel and seamlessly welded into the work surface. Drain fitting is included.</li> <li>• Foamed-in-place insulation and an ABS plastic breaker strip around the ice bin liners prevent thermal transfer from outside the ice bin so that your ice lasts longer.</li> <li>• Custom configurations available upon request.</li> </ul>	<table border="0"> <tr> <td><b>Dimensions:</b></td> <td><u>DCS30</u></td> <td><u>DCS42</u></td> </tr> <tr> <td>Height*:</td> <td>9"</td> <td>9"</td> </tr> <tr> <td colspan="3" style="text-align: center;">*NOTE: Does not include ice bin cover or faucet.</td> </tr> <tr> <td>Width:</td> <td>30"</td> <td>42"</td> </tr> <tr> <td>Depth:</td> <td>19"</td> <td>19"</td> </tr> <tr> <td>Shipping weight:</td> <td>75#</td> <td>85#</td> </tr> <tr> <td><b>Cutout Dimensions:</b></td> <td><u>DCS30</u></td> <td><u>DCS42</u></td> </tr> <tr> <td>Width:</td> <td>28-1/2"</td> <td>40-1/2"</td> </tr> <tr> <td>Depth:</td> <td>17-1/2"</td> <td>17-1/2"</td> </tr> <tr> <td><b>Drains:</b></td> <td colspan="2"> <ul style="list-style-type: none"> <li>• Sink – 1-1/2" I.P.S. threaded drain fitting</li> <li>• Ice bin – 1-1/2" tailpiece</li> <li>• Bottle well – 1-1/2" tailpiece</li> <li>• Glass storage area – no drain <b>or</b> optional 1-1/2" I.P.S. threaded drain fitting - specify if required when ordering.</li> </ul> </td> </tr> <tr> <td></td> <td colspan="2">NOTE: Provide suitable drain systems in accordance with local codes for all drains. The drains must be accessible.</td> </tr> <tr> <td><b>Sink Bowl Dimensions:</b></td> <td colspan="2">9-1/4" by 11-1/2" by 6" deep</td> </tr> <tr> <td><b>Faucet (optional):</b></td> <td colspan="2">Holes for mounting a faucet are provided. Two holes on 4" centers is standard. If an alternate pattern is required, please specify when ordering.</td> </tr> <tr> <td></td> <td colspan="2">An optional hot and cold water faucet is available as an accessory. Specify part number 03000457 when ordering.</td> </tr> <tr> <td></td> <td colspan="2">NOTE: Use a certified plumber to connect and install potable water supply and drain system to the drop-in cocktail station in accordance with local code requirements.</td> </tr> </table>		<b>Dimensions:</b>	<u>DCS30</u>	<u>DCS42</u>	Height*:	9"	9"	*NOTE: Does not include ice bin cover or faucet.			Width:	30"	42"	Depth:	19"	19"	Shipping weight:	75#	85#	<b>Cutout Dimensions:</b>	<u>DCS30</u>	<u>DCS42</u>	Width:	28-1/2"	40-1/2"	Depth:	17-1/2"	17-1/2"	<b>Drains:</b>	<ul style="list-style-type: none"> <li>• Sink – 1-1/2" I.P.S. threaded drain fitting</li> <li>• Ice bin – 1-1/2" tailpiece</li> <li>• Bottle well – 1-1/2" tailpiece</li> <li>• Glass storage area – no drain <b>or</b> optional 1-1/2" I.P.S. threaded drain fitting - specify if required when ordering.</li> </ul>			NOTE: Provide suitable drain systems in accordance with local codes for all drains. The drains must be accessible.		<b>Sink Bowl Dimensions:</b>	9-1/4" by 11-1/2" by 6" deep		<b>Faucet (optional):</b>	Holes for mounting a faucet are provided. Two holes on 4" centers is standard. If an alternate pattern is required, please specify when ordering.			An optional hot and cold water faucet is available as an accessory. Specify part number 03000457 when ordering.			NOTE: Use a certified plumber to connect and install potable water supply and drain system to the drop-in cocktail station in accordance with local code requirements.	
<b>Dimensions:</b>	<u>DCS30</u>	<u>DCS42</u>																																													
Height*:	9"	9"																																													
*NOTE: Does not include ice bin cover or faucet.																																															
Width:	30"	42"																																													
Depth:	19"	19"																																													
Shipping weight:	75#	85#																																													
<b>Cutout Dimensions:</b>	<u>DCS30</u>	<u>DCS42</u>																																													
Width:	28-1/2"	40-1/2"																																													
Depth:	17-1/2"	17-1/2"																																													
<b>Drains:</b>	<ul style="list-style-type: none"> <li>• Sink – 1-1/2" I.P.S. threaded drain fitting</li> <li>• Ice bin – 1-1/2" tailpiece</li> <li>• Bottle well – 1-1/2" tailpiece</li> <li>• Glass storage area – no drain <b>or</b> optional 1-1/2" I.P.S. threaded drain fitting - specify if required when ordering.</li> </ul>																																														
	NOTE: Provide suitable drain systems in accordance with local codes for all drains. The drains must be accessible.																																														
<b>Sink Bowl Dimensions:</b>	9-1/4" by 11-1/2" by 6" deep																																														
<b>Faucet (optional):</b>	Holes for mounting a faucet are provided. Two holes on 4" centers is standard. If an alternate pattern is required, please specify when ordering.																																														
	An optional hot and cold water faucet is available as an accessory. Specify part number 03000457 when ordering.																																														
	NOTE: Use a certified plumber to connect and install potable water supply and drain system to the drop-in cocktail station in accordance with local code requirements.																																														
<p style="text-align: center;"><b>Glastender, Inc.</b> 5400 North Michigan Road • Saginaw, MI • 48604-9780 989.752.4275 • 800.748.0423 • Fax 989.752.4444 www.glastenderhome.com</p>	<p style="text-align: center;">Specifications subject to change without notice. For current specifications please visit our website.</p>																																														

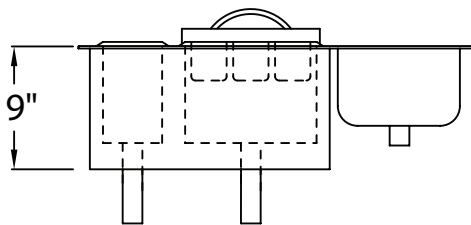
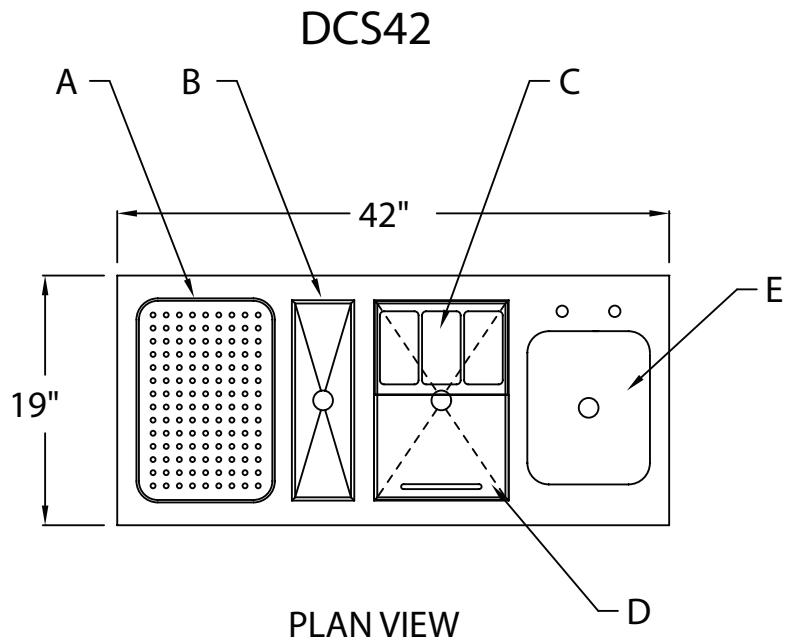
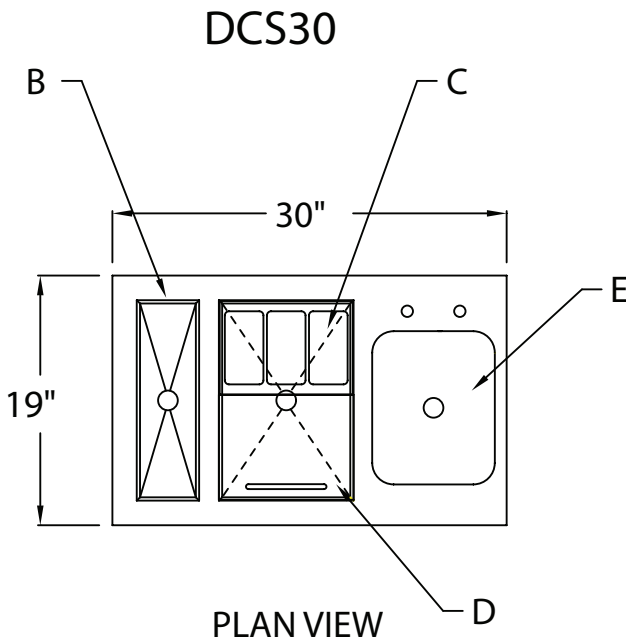
## DROP-IN COCKTAIL STATIONS



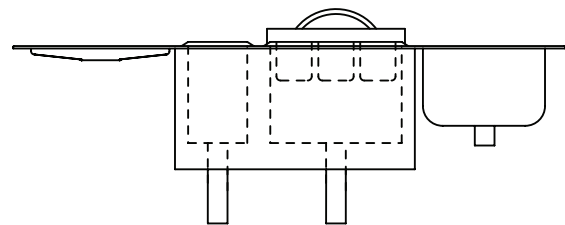
RIGHT SIDE ELEVATION

- A - Drainboard Glass storage area
- B - Insulated bottle well
- C - Condiment cups
- D - Cocktail Ice bin with sliding cover
- E - Stainless steel sink

Note: Faucet is optional. Specify if required when ordering.



FRONT ELEVATION



FRONT ELEVATION