



CC18X30

Cocktail Cart

Model: CC18X30

Standard Features

- Weather resistant stainless steel construction.
- Includes a main ice bin with sliding stainless steel cover, three condiment cups, bottle well for iced bottle storage, flip-up work board, handle/towel bar, bottle rail, bottle opener and cap catcher, bottom storage shelf, and heavy duty casters.
- Condiment area includes hinged stainless steel sanitary cover.
- The convenient bottle rail provides easy access storage for bottles.
- The stout handle also serves as a towel bar.
- Mounted below the bottle opener is a removable cap catcher for easy disposal during clean-up.
- Insulated bottle well storage for chilling juices, mixes, wine of other bottled beverages is separate from the cocktail ice bin liner, preventing contamination of the ice used to make your cocktails.
- The flip-up work board can be lowered for more convenience during transport.
- Foamed-in-place insulation and an ABS plastic breaker strip around the ice bin liners prevent thermal transfer from outside the ice bin so that your ice lasts longer.
- Four 4" heavy-duty rubberized casters and the two front side casters are locking.

Specifications

Dimensions:

- Height: 30" *NOTE: Does not include ice bin cover.*
- Width: 45-1/4" *NOTE: 35-5/8" with work board lowered. Body of unit is 30".*
- Depth: 23" *NOTE: Includes speed rail. Body of unit is 18".*
- Shipping weight: 140#

Drains:

- Ice bin – 1" tailpiece. Includes factory installed drain valve. No plumbing hook-up required.
- Bottle well – 1" tailpiece. Includes factory installed drain valve. No plumbing hook-up required.

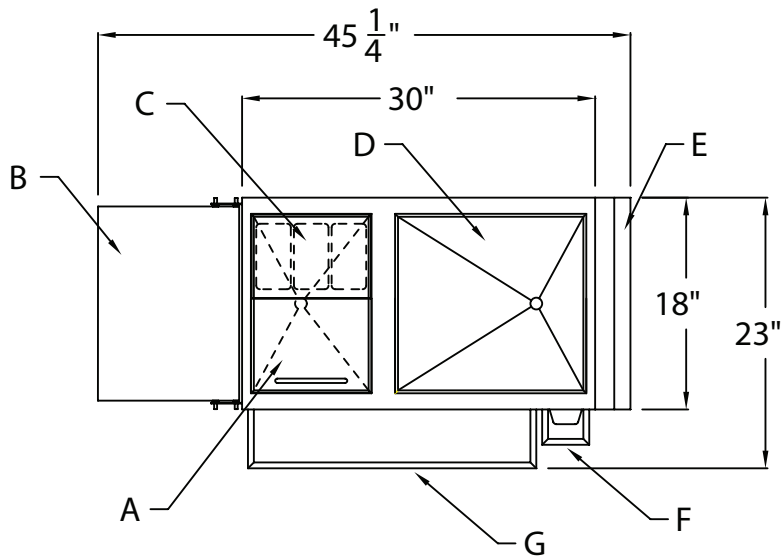
Glastender, Inc.

5400 North Michigan Road • Saginaw, MI • 48604-9780
 989.752.4275 • 800.748.0423 • Fax 989.752.4444
www.glastenderhome.com

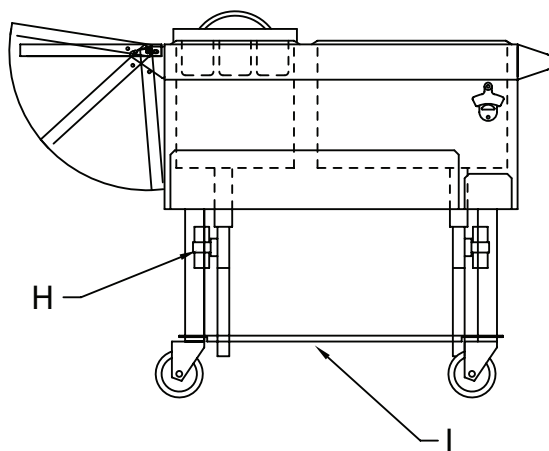
Specifications subject to change without notice.
 For current specifications please visit our website.

COCKTAIL CART

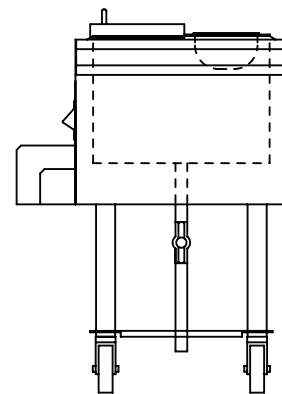
- A - Cocktail ice bin with sliding cover
- B - Flip-up work table
- C - Condiment cups
- D - Bottled beverage ice bin
- E - Handle and towel bar
- F - Bottle open & cap catcher
- G - Bottle storage rail
- H - Drain valve
- I - Storage shelf



PLAN VIEW



FRONT ELEVATION



LEFT SIDE ELEVATION